



Pipe Adapter Kit for Magnetic Drilling Machines

PAK.250

Serial number:

Date of purchase:

Congratulations on purchasing this premium pipe adapter kit for magnetic drilling machines. At EUROBOOR we strive to exceed our customers' expectations by developing and providing premium and innovative portable drilling and cutting solutions. We believe that a professional like you must be able to rely on a professional supplier. Which has led us to become a major player in the industrial world, with our own factory and several offices worldwide. All because we have always listened to our customers and to the demands from the market.

Our vision is focused on developing innovative portable tools that add value for our customers and facilitate them in their daily work. We never lose sight of sustainability, time savings and cost savings.

Enjoy your new pipe adapter kit!

Before operating your pipe adapter kit, please first read all instructions. You find the instructions in this manual. With proper use, care and maintenance your pipe adapter kit, will provide you with years of premium performance.

TO REDUCE THE RISK OF INJURY USER MUST READ AND UNDERSTAND ALL INSTRUCTIONS

To view all our offices and their contact information please visit: www.euroboor.com

The original manual has been produced in the English language. If any discrepancies should occur in translations, reference must be made to the original version for clarification.

Table of Contents

PAK.250	1
Table of Contents	3
1. Safety Instructions.....	4
2. Description.....	5
2.1 Intended use.....	5
2.2 Description and features	5
2.3 Serial number	5
2.4 Technical data.....	6
2.5 Case content.....	6
3. Preparation and Installation.....	7
3.1 Prior to use	7
3.2 Installation.....	7
4. Maintenance	10
5. Environmental.....	10
6. Exploded View & Spare Parts List	11
6.1 Exploded view.....	11
6.2 Spare parts list.....	12
6.3 Warranty.....	12

1. Safety Instructions

Do not use this pipe adapter kit before you have thoroughly read and completely understood this manual, specifically the “General safety instructions” including the figures, specifications, safety regulations and the signs indicating DANGER, WARNING and CAUTION.

This manual should be kept for later use, should it be passed on or sold.

WORK AREA

1. Keep your work area clean and well lit. Cluttered and dark work areas increase the chance of accidents.
2. Keep bystanders, children and visitors away while operating a drilling machine with pipe adapter kit. Distractions can cause you to lose control.
3. For more safety instructions, please refer to corresponding user manual for magnetic drilling machines.

PERSONAL SAFETY

1. Dress properly. Do not wear loose clothing or jewelry.
2. Never place hands, fingers, gloves or clothing between the adapter kit and pipe.
3. For more Personal safety instructions, please refer to corresponding user manual for magnetic drilling machines.

SERVICE

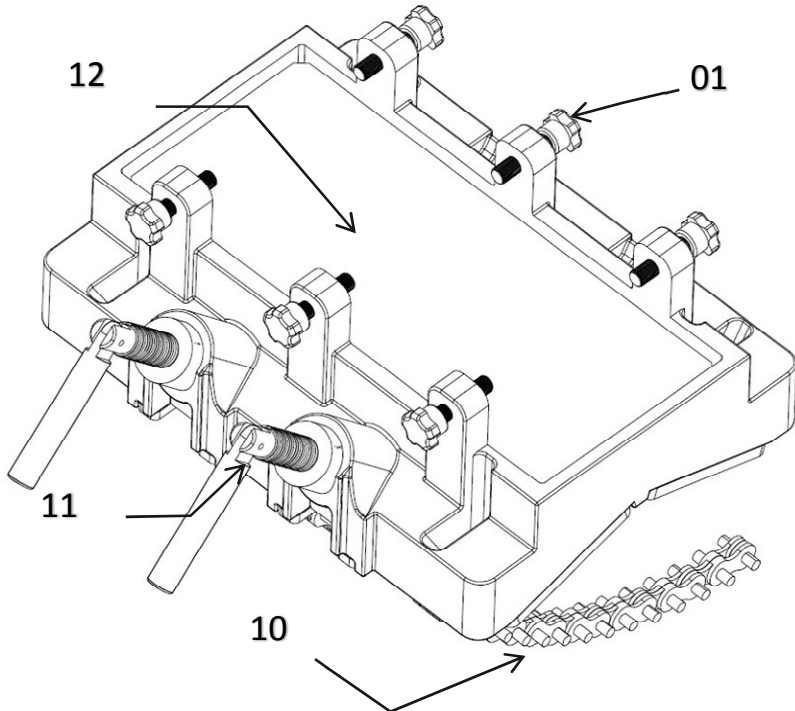
1. Tool service must be performed only by qualified repair personnel. Service or maintenance performed by unqualified personnel could result in risk of injury.
2. When servicing a tool, use only identical replacement parts. Use of unauthorised parts or failure to follow maintenance instructions may create a risk of injury.

2.Description

2.1 Intended use

Drilling on tubes and pipes is always hard work, but now with the EUROBOOR pipe adapter kit for magnetic drilling machines, it's easy and efficient.

2.2 Description and features



- 01. Stop screw
- 10. Sprocket chain
- 11. Chain tightening bolt
- 12. Junction plate

2.3 Serial number

The serial number is engraved on the plate. An additional serial number sticker is provided in the case for your administration. The number will help you and your sales point validate and identify the machine.

As example:

L1605806

breaks down to:

L 16 05 806

- Machine series
- Year of manufacture
- Month of manufacture
- Identification number

2.4 Technical data

	Metric	Imperial
Sizing PAK.250		
Length	286 mm	11 1/4"
Width	268 mm	10 9/16"
Height	96 mm	3 3/4"
Sizing inside plate		
Length	265 mm	10 7/16"
Width	112 mm	4 7/16"
Height	14 mm	9/16"
Weight	12.5 kg	27.6 lbs

- Suitable for tube diameter from \varnothing 50 up to 500 mm
- Suitable for all EUROBOOR magnetic drilling machines (except ECO.200 and TUBE series)
- Suitable for almost all magnetic drilling machines in the market (for universal application)

2.5 Case content



1. Pipe adapter kit

2. User manual

3. Preparation and Installation


3.1 Prior to use

Before using it, you must check the adapter kit for possible damage, especially for sprocket chains.

DO NOT let children come into contact with the adapter kit. Supervision is required when inexperienced operators use this adapter kit.

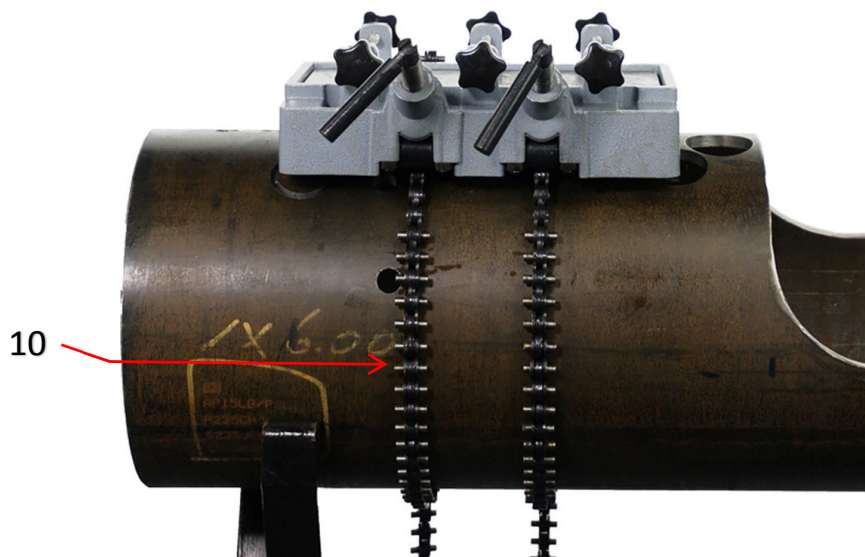
Before installation always make sure the junction plate on which you are going to attach the magnet base is clear of any rust, burr and debris. This ensures that your magnet drilling machine has a better grip on the surface.

As per the diameter of the hole and material of pipe select the correct capacity magnetic drilling machine and correct annular.

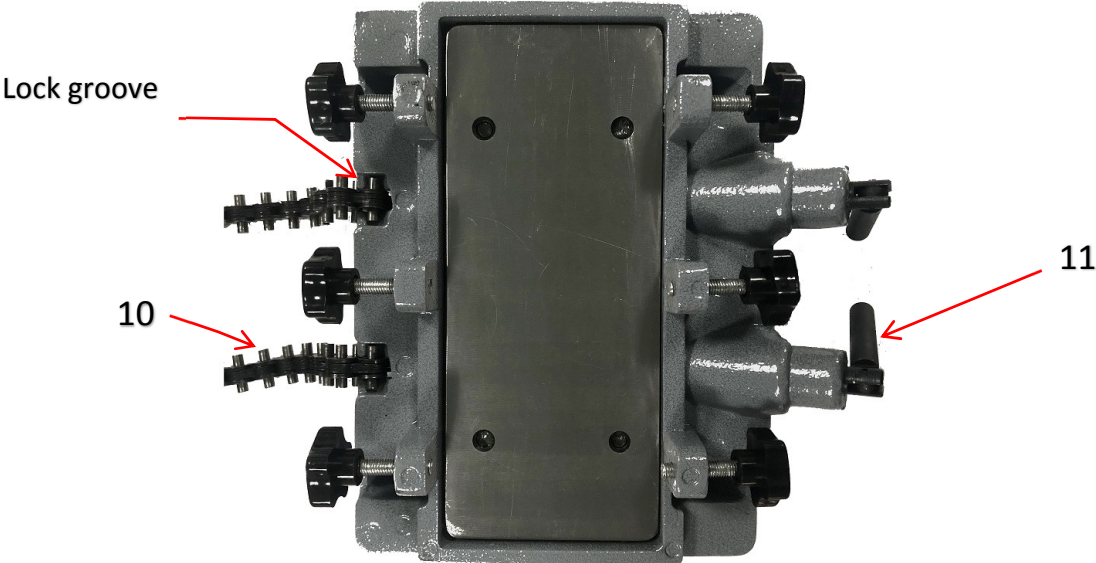
 **WARNING:** Make sure that the pipe you intend to drill on is in the range of φ 50-500 mm.

3.2 Installation

Step 1. Place the adapter kit on the pipe, then wrap the chains (10) around the pipe.



Step 2. Hook up the chains (10) into the lock groove, then turn the chain tightening bolt (11) counterclockwise.




Step 3. Place the magnetic drilling machine on the junction plate (12) of the adapter kit, by rotating the stop screw handle (01), you can move the machine into the appropriate position.



Step 4. Turn on the magnet switch and start the motor for drilling work.



 **WARNING:** Make sure the adapter kit is securely fixed to the pipe before start the motor.

4. Maintenance

Your EUROBOOR pipe adapter kit has been designed to use over a long period of time. Continuous satisfactory use depends upon proper tool care and regular cleaning.



CAUTION: *To reduce the risk of injury, remove the drilling machine from the pipe adapter kit before adjusting or while making repairs.*

Just as every tool with metal material, your EUROBOOR pipe adapter kit also needs regular maintenance. A few recommendations follow :

Visually check the adapter kit for damage

The kit must be checked before installation for any signs of damage that will affect the operation of drilling. Particular notice must be taken of the sprocket chains, if appear to be damaged it should not be used. Failure to do so may cause injury.

Cleaning

Clean all dirt, dust, metal chips and burrs after drilling operation.

Rust protection

When the adapter kit is put out of use for a long period, apply a small amount of slushing oil to the sprocket chains and metal surface for rust protection.

5. Environmental



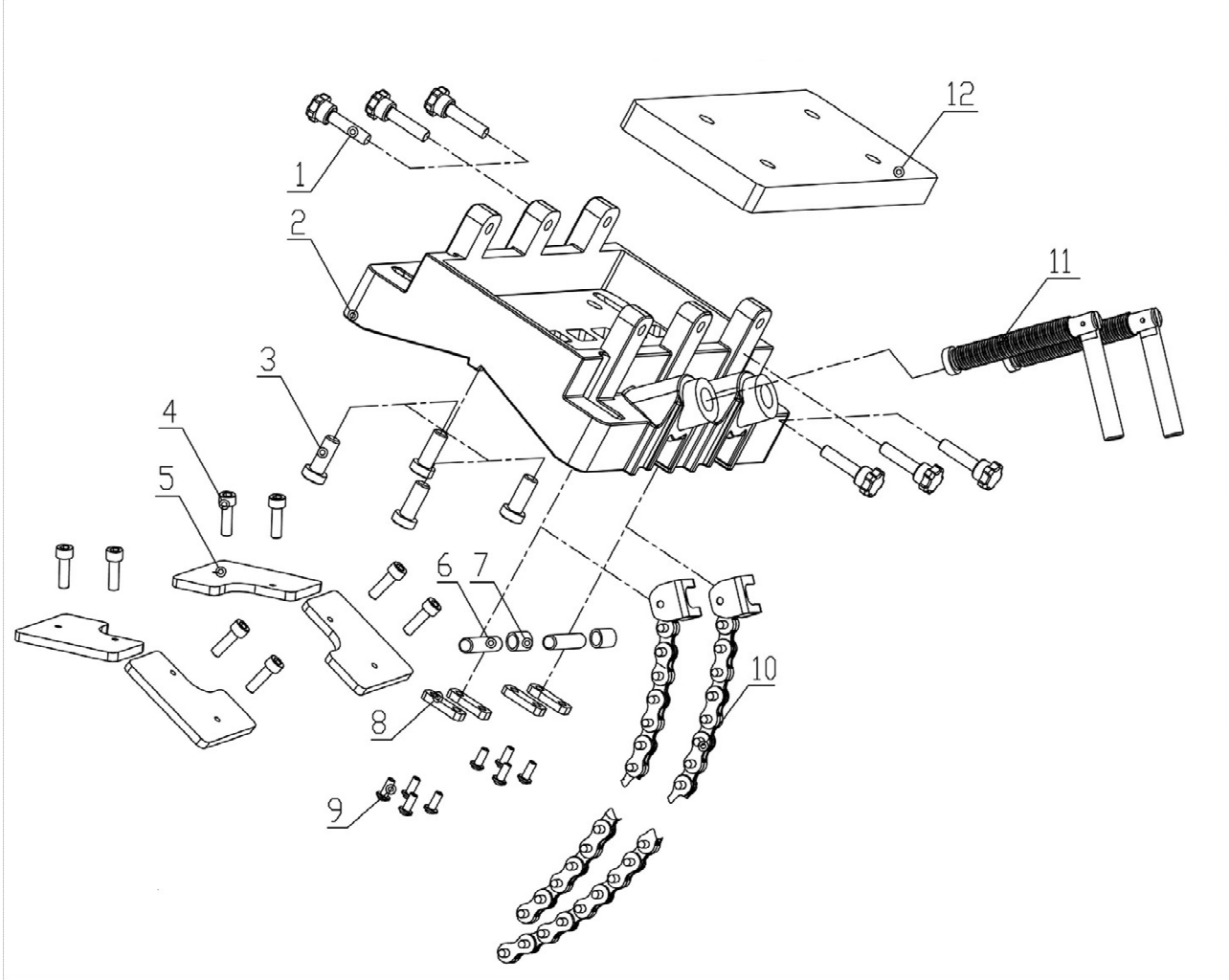
Separate collection. This product must not be disposed of with normal household waste.



Separate collection of used products and packaging allows materials to be recycled and used again. Re-use of recycled materials helps prevent environmental pollution and reduces the demand for raw materials.

6. Exploded View & Spare Parts List

6.1 Exploded view



6.2 Spare parts list

No	Article	Description	Qty
1	PAK250.001	Stop Screw	6
2	PAK250.002	Base	1
3	PAK250.003	Hex Screw	4
4	PAK250.004	Hex Screw	8
5	PAK250.005	Pad	4
6	PAK250.006	Straight Pin	2
7	PAK.250.007	Rolling Ring	2
8	PAK250.008	Holder	4
9	PAK250.009	Tapping Screw	8
10	PAK250.010	Sproket Chain	1
11	PAK250.011	Chain Tightening Bolt	1
12	PAK250.012	Junction Plate	1

6.3 Warranty

Euroboor B.V. warrants this pipe adapter kit to be free of material defects and workmanship errors under normal use for a period of 12 months after date of purchase.

This 12 month period can be extended to 24 months in total by registering the product on our website: <https://euroboor.com/support/register/>

Service

To maximise the lifetime of your EUROBOOR tools always use service and parts from an official EUROBOOR distribution channel. Whenever in need of such, always contact original point of sales or if no longer existent the distributor of EUROBOOR products in your country.